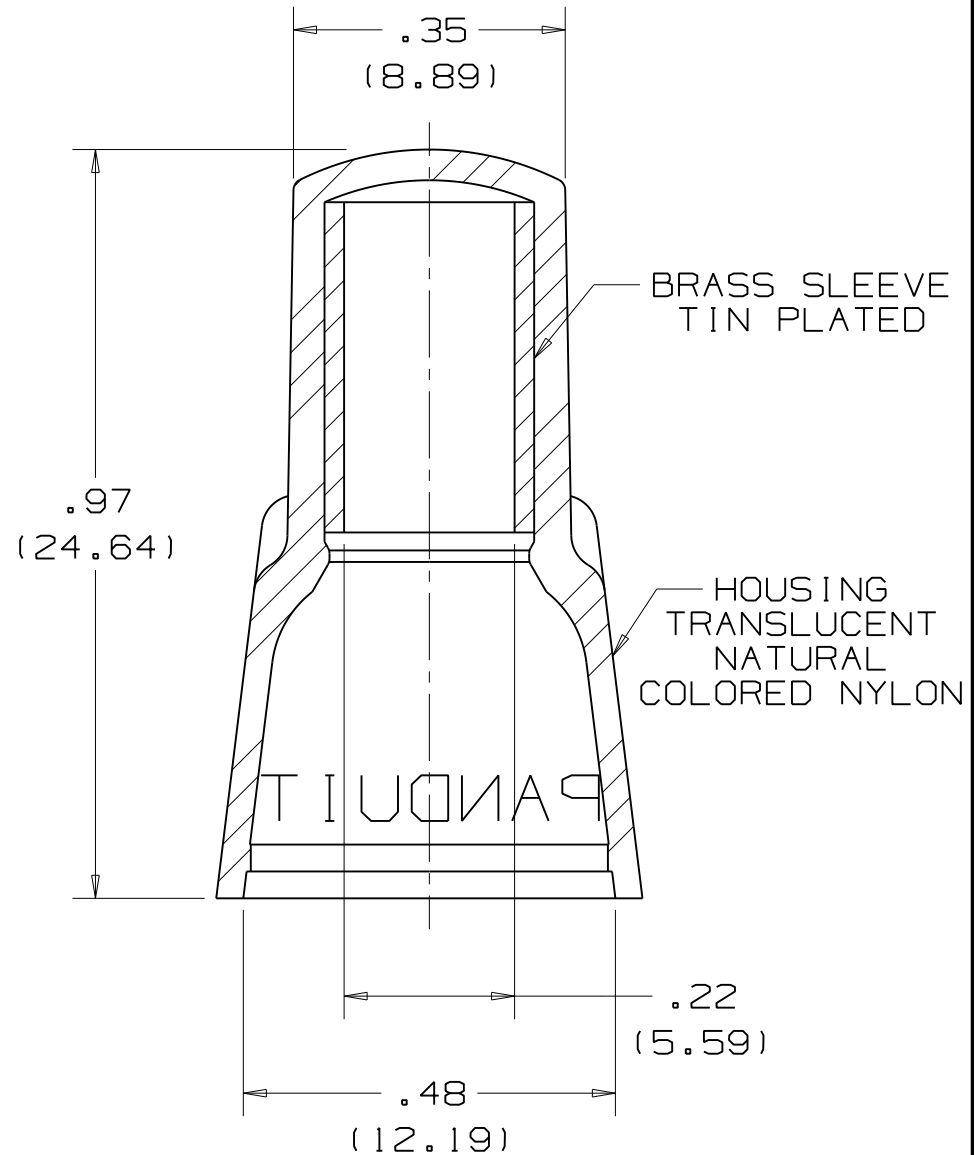


### WIRE COMBINATION CHART

WIRE SIZE	NO. OF WIRES	NUMBER OF ADDITIONAL WIRES OF ONE SIZE			
		#16	#14	#12	#10
#16	1	3-6	2-4	2-3	1 OR 2
	2	2-5	1-3	1 OR 2	1 OR 2
	3	1-4	1 OR 2	1 OR 2	1
	4	1-3	1	1	1
	5	1 OR 2	1	1	1
	6	1	0	0	0
#14	1	2-5	2-5	2-3	1 OR 2
	2	1-3	1-4	1 OR 2	1
	3	1 OR 2	1-3	1 OR 2	0
	4	1 OR 2	1 OR 2	1	0
	5	1	1	0	0
#12	1	2-5	2-4	1-3	1
	2	1-3	1-3	1 OR 2	1
	3	1	1	1	0
#10	1	1-5	1 OR 2	1 OR 2	1
	2	1 OR 2	1	0	0
#8	1	1-3	2	1	1



NOTES :

- PERFORMANCE RATED FOR :  
 A. 600 V MAX. VOLTAGE RATING  
 B. 221°F (105°C) MAX. TEMP. RATING  
 C. #16 AWG-#8 AWG, SOLID OR STRANDED COPPER WIRE
- MATERIAL:  
 A. SLEEVE - BRASS, TIN PLATED  
 B. HOUSING - NATURAL NYLON
- DIMENSIONS IN BRACKETS ARE IN MILLIMETERS
- INSTALLATION TOOLS: CT-100, CT-100A, CT-160, CT-260
- WIRE STRIP LENGTH:  $5/8^{+1/32}_{-0}$  (15.9  $^{+.8}_{-0}$ )
- SEE [www.panduit.com](http://www.panduit.com) FOR PART NUMBER SUFFIX DESIGNATION FOR PACKAGE SIZE.

**PANDUIT** CORP.

TINLEY PARK, ILLINOIS

NYLON INSULATED WIRE JOINT  
JN314-412

07	8/11	SHOR	ADDED NOTE #6, ADDED INSTALLATION TOOLS
05	7/10	SRB	Added #8 wire size to Wire Combination Chart
REV	DATE	BY	DESCRIPTION

DRAWN BY	CHK'D	SCALE	DRAWING NO.
GRM		NONE	A41003